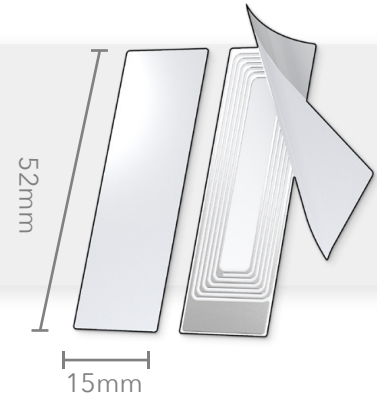


RF 15 x 52mm Cosmetic Label



Roll format
Suited for Hand Apply



Fully Compatible
Checkpoint® & Nedap® and other RF 8.2 Mhz
EAS Systems & Deactivators



Product Specifications

- Label Reference:** 15 x 52mm Cosmetic Label
- Cover of Label:** Plain White, Custom and Clear (Nude)
- Label Length:** 52 mm / 2.05 inches
- Label Width:** 15 mm / 0.59 inches
- Detection Performance:** Good
- Count Rol:** 1000 / Custom
- Adhesive:** FDA Approved Strong Adhesive
- Label frequency:** 8.2 MHz Radio-Frequency (RF)